

N E X I O N



LED STRIP SOLUTIONS

CHOOSE THE RIGHT STRIP

NEXION
electronics



APPLICATION

1. Outdoor
2. Indoor
3. Exceptional

WATERPROOF

1. IP20
2. P65 gel coating
3. IP66 Silicone tube
4. IP68 Glue filling

VOLTAGE

1. (5V)
2. (12/24 V)
3. (110/220 V)

LED TYPE

1. Single colour
2. RGB
3. RGBW

CONTROLLER

1. DMX
2. Simple mode
3. Customized

LIGHTING MODE

1. Adressable
2. Group control

NEXION
electronics



SMD STRIP SERIES

SMART, EFFICIENT, EFFECTIVE

LED STRIP TYPES

COB



High Intensity



Full spectrum



1- Step



Lens



Branding LED



4mm width



300 LED/m



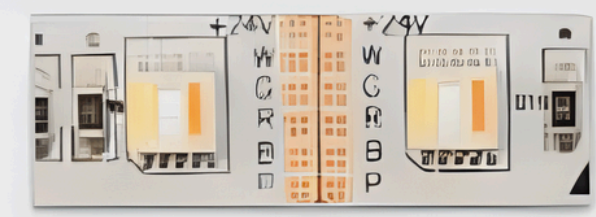
1-LED-cut



Dual LED CCT



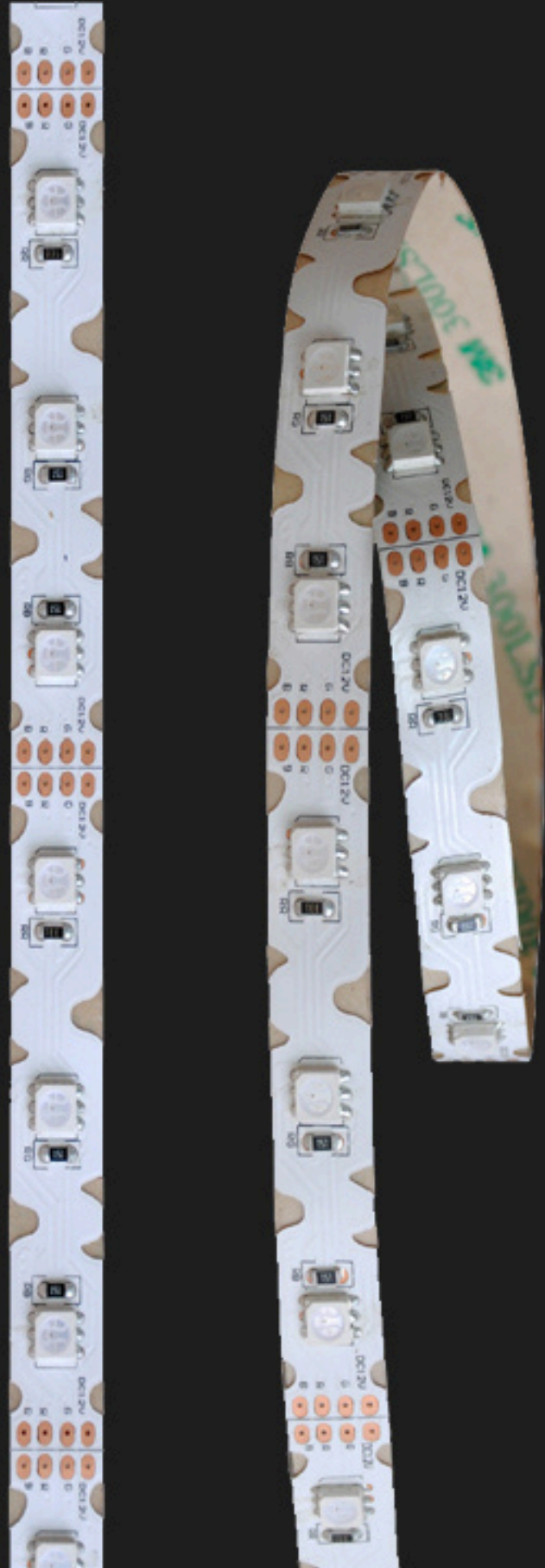
WRGBW



6mm RGB



CURVABLE LED STRIP RGWB



**160 DEGREE STRIP
12 V DC**



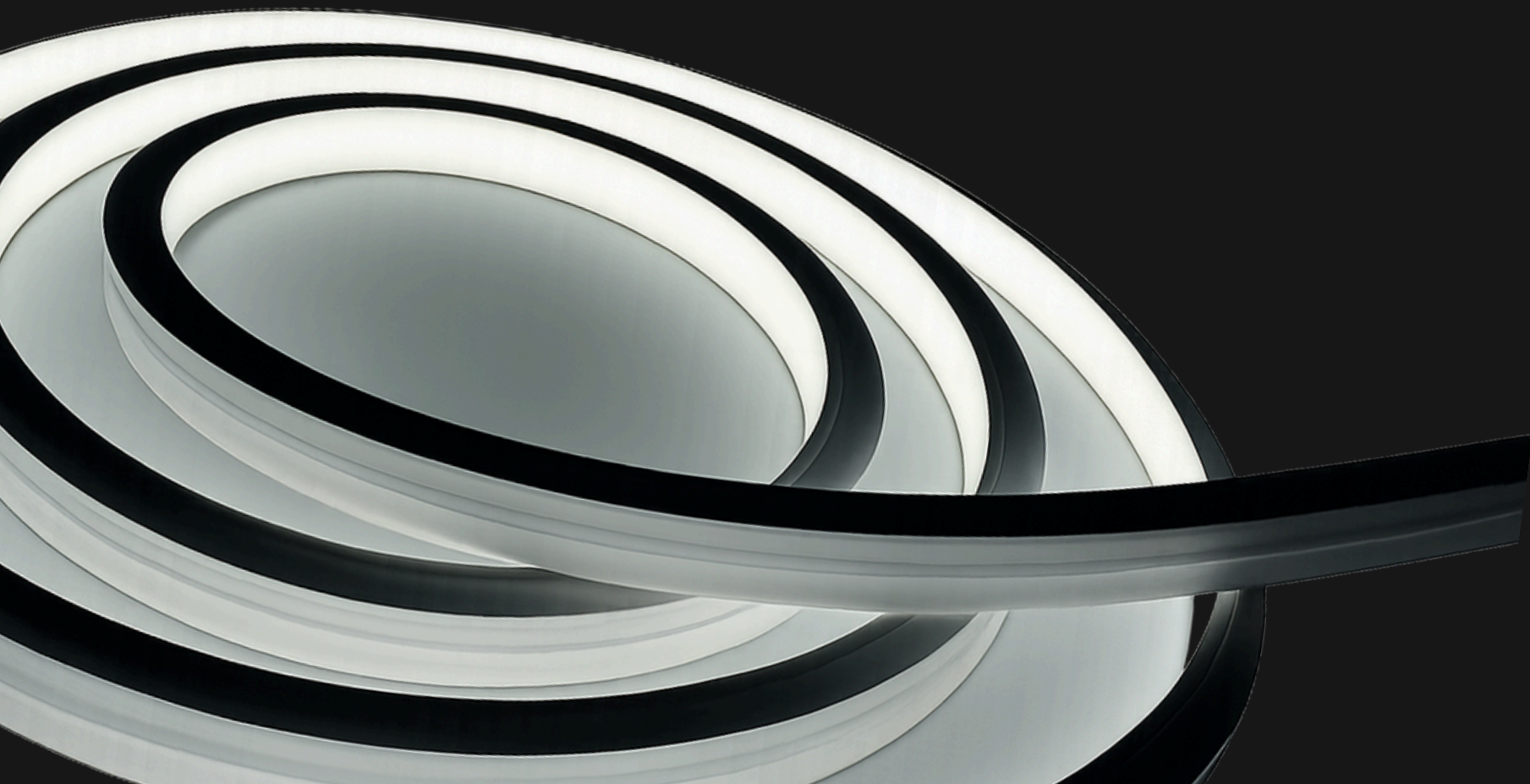
**HIGH VOLTAGE LED STRIP
RGBW
-230 V DC**

NEXION
electronics

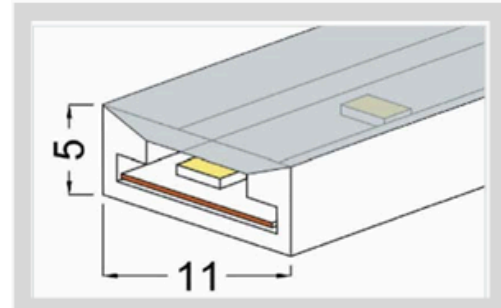
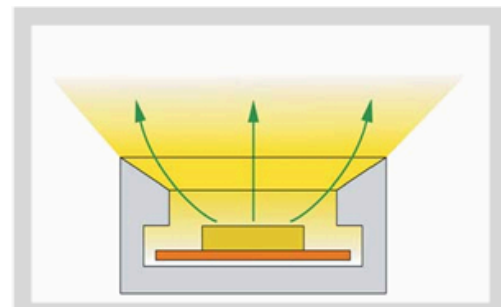


SPOT FREE NEON STRIP

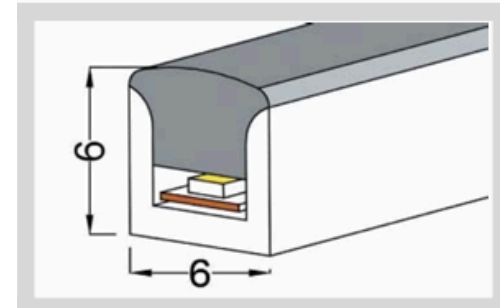
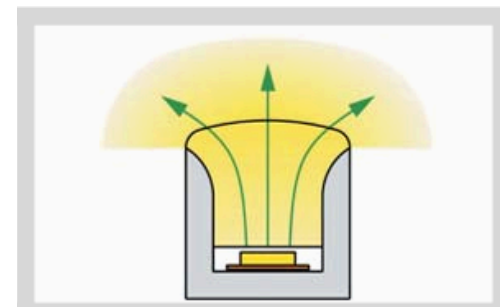
SMART, EFFICIENT, EFFECTIVE



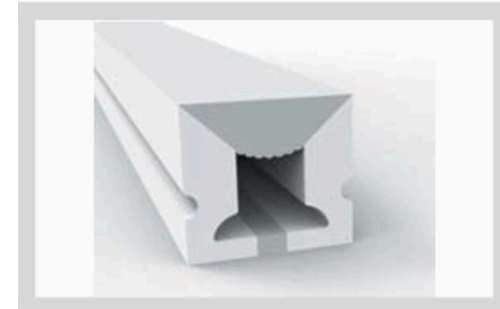
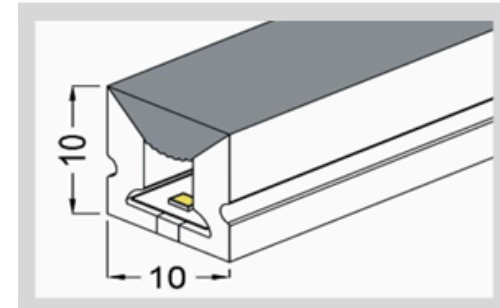
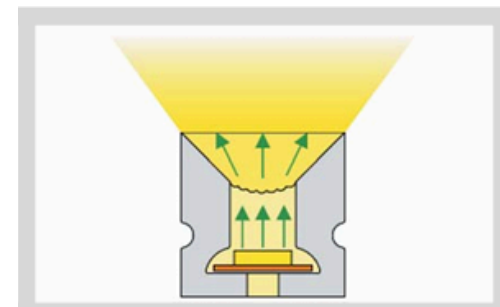
NEON STRIPS



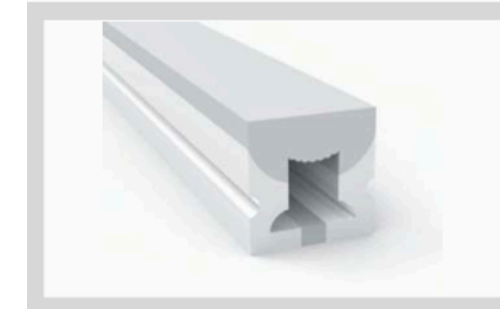
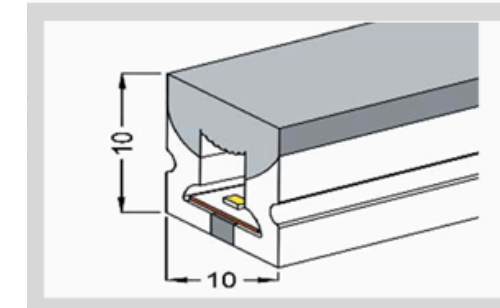
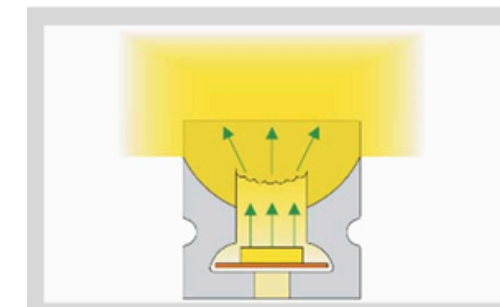
5*11 / 5*13 / 5*15
120 deg.



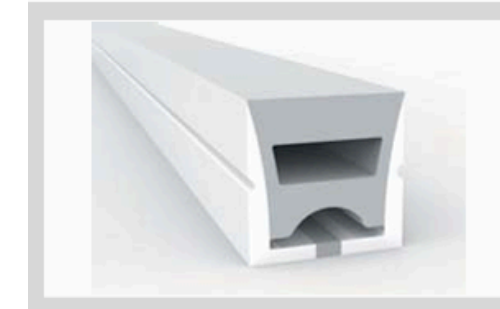
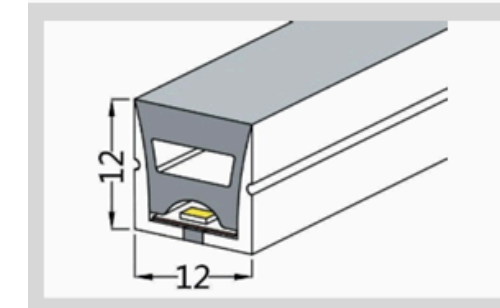
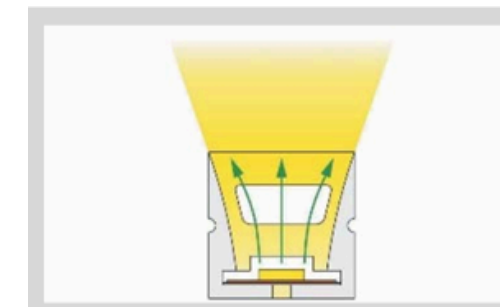
180 deg.



120 deg.

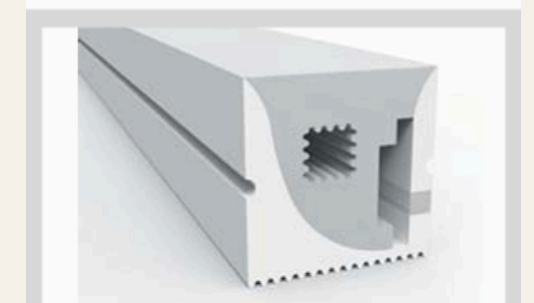
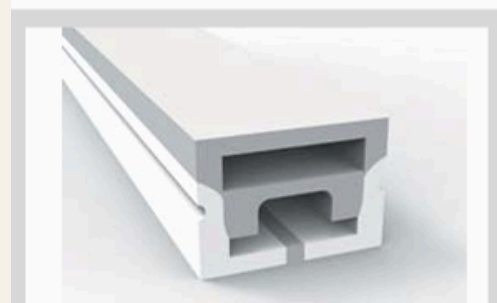
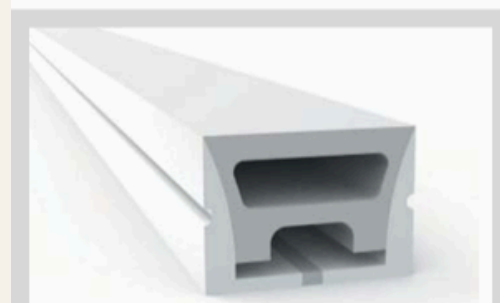
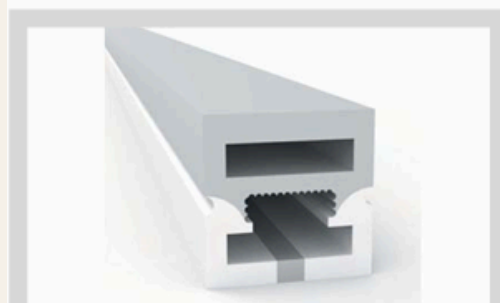
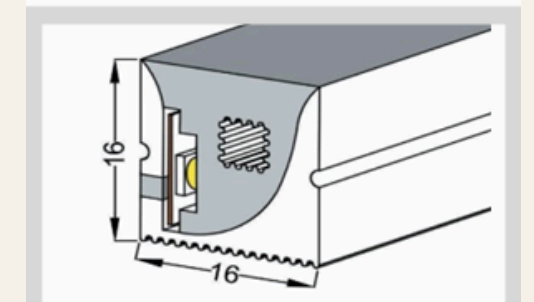
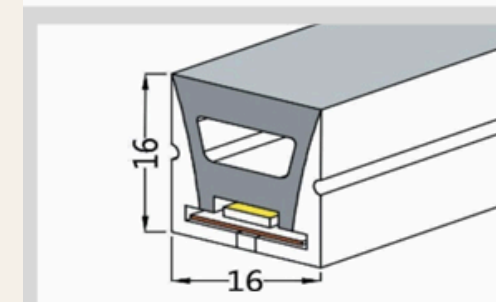
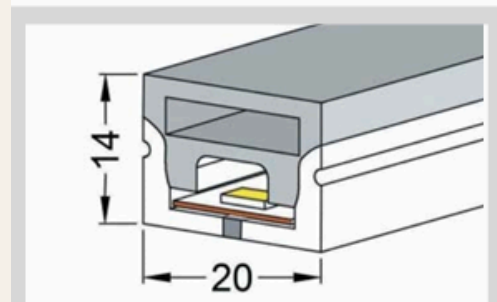
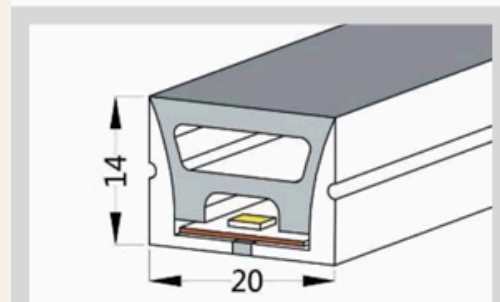
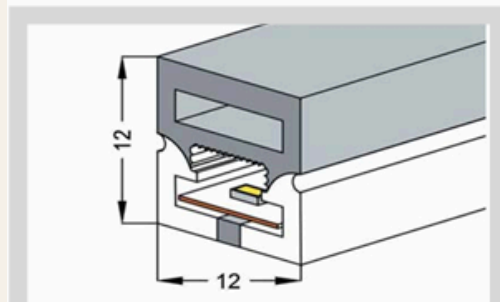
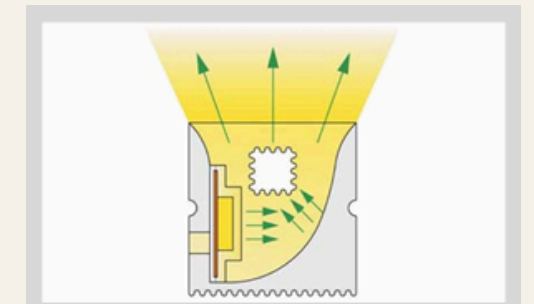
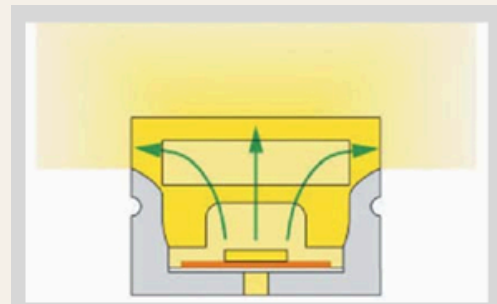
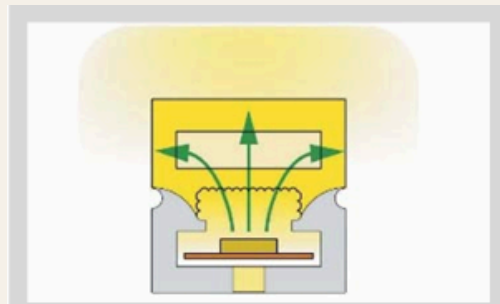


180 deg.



120 deg.

NEON STRIPS



180 deg.

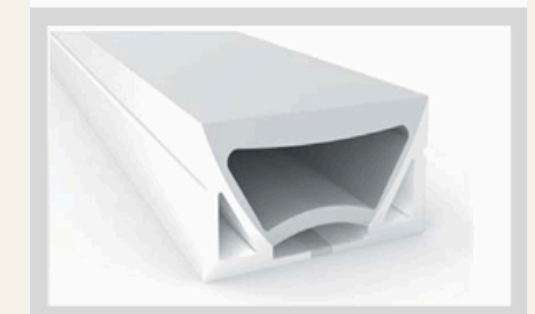
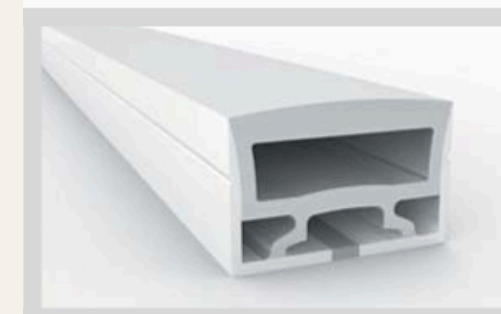
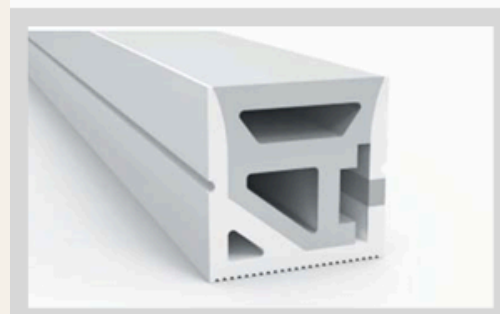
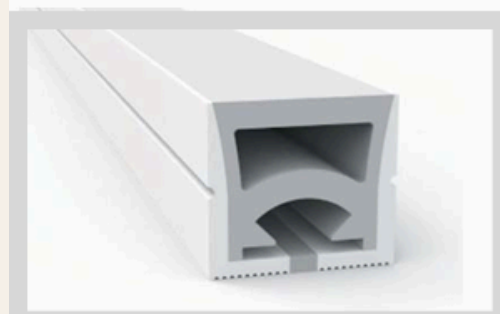
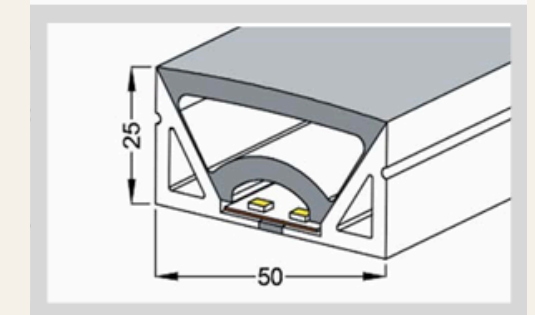
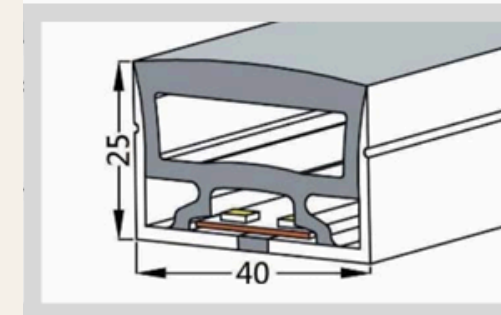
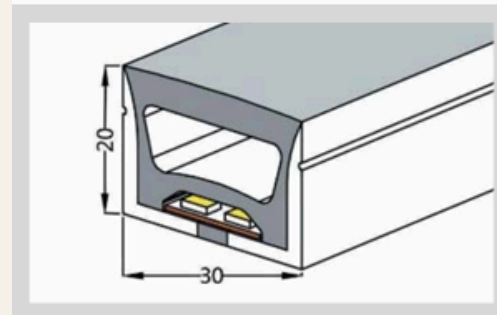
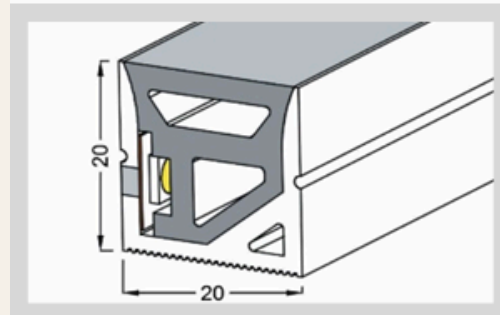
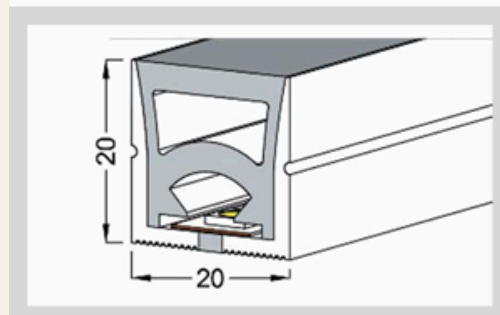
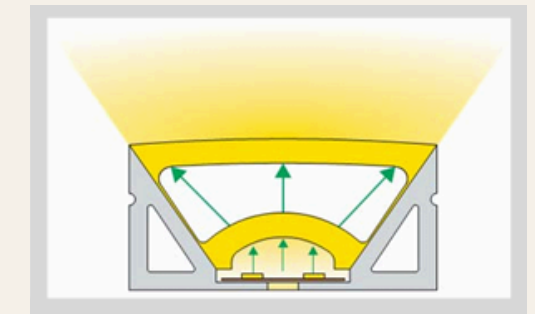
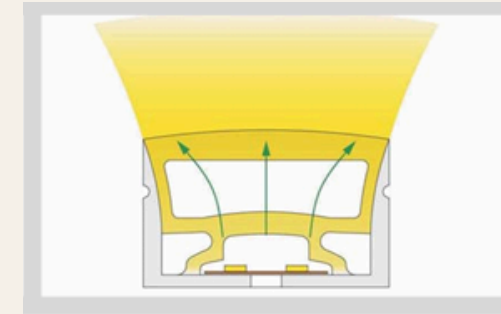
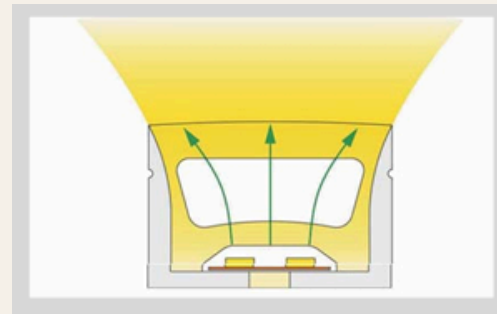
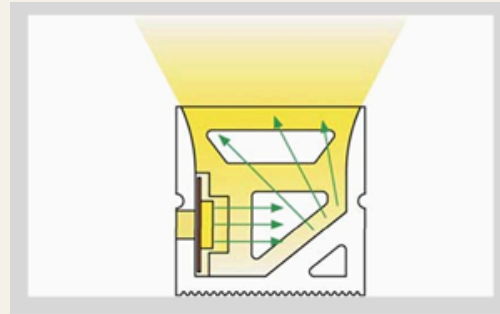
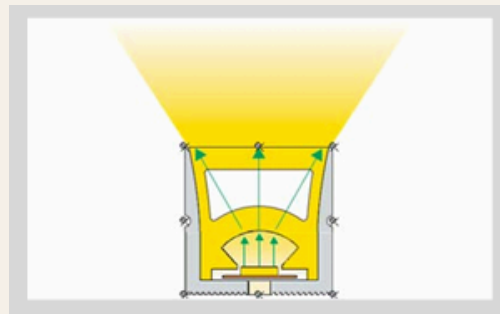
120 deg.

180 deg.

120 deg.

120 deg.

NEON STRIPS



120 deg.

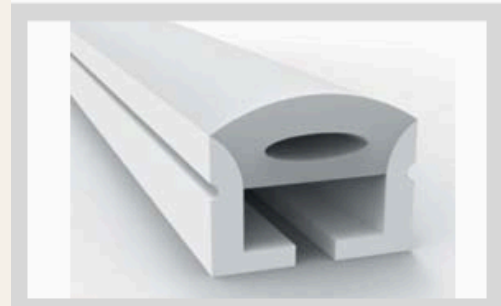
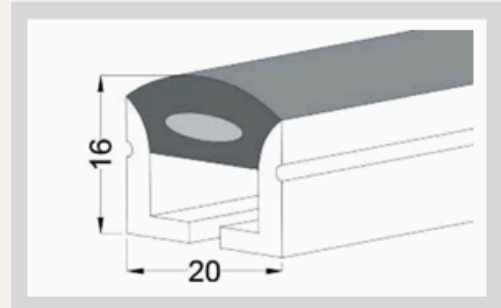
120 deg.

120 deg.

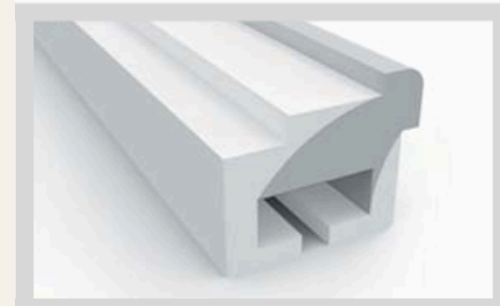
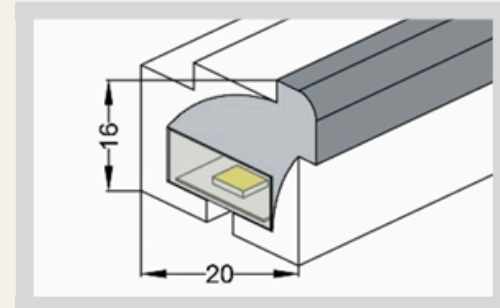
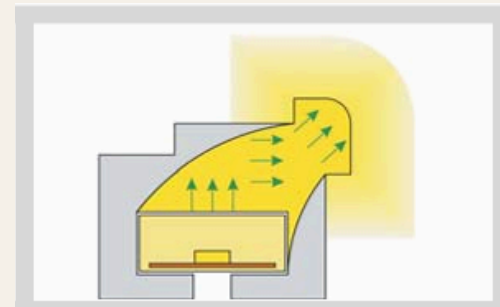
120 deg.

120 deg.

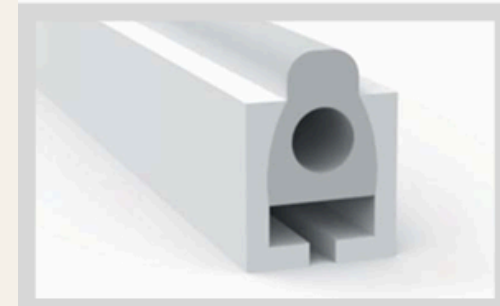
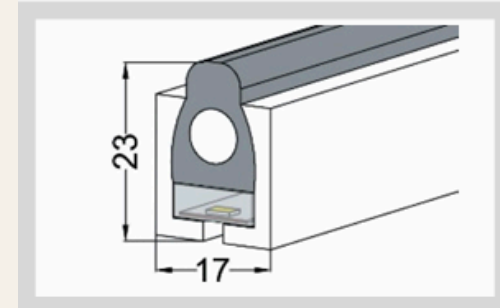
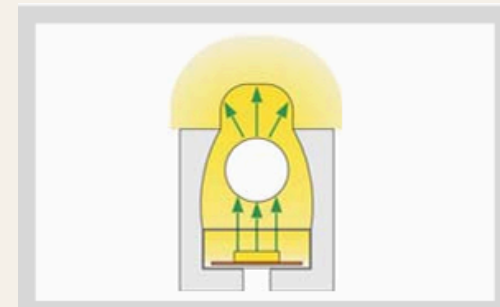
NEON STRIPS



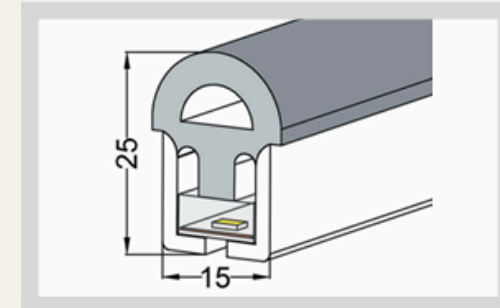
180 deg.



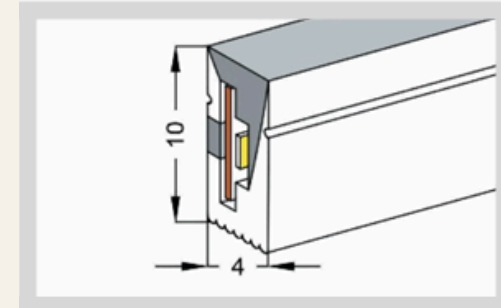
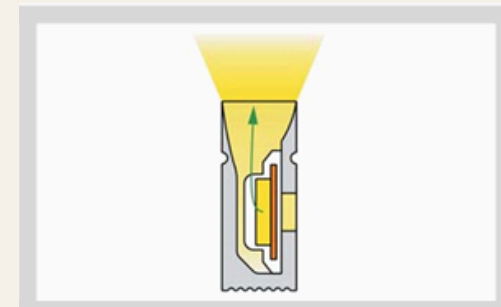
270 deg.



180 deg.

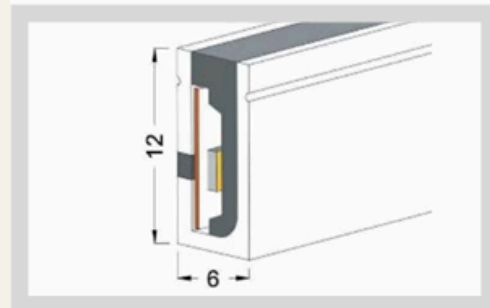
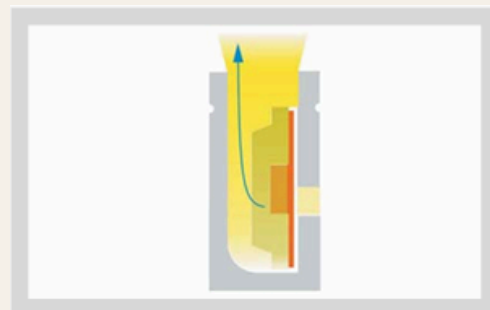


180 deg.

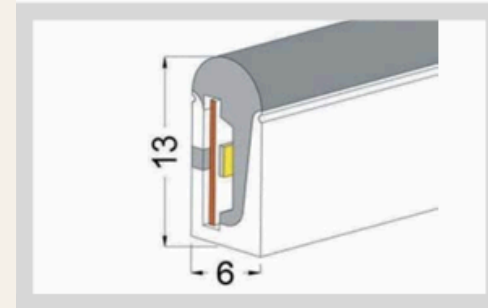


120 deg.

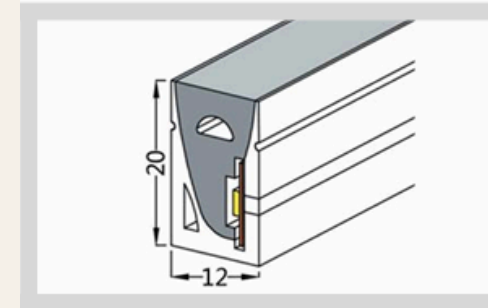
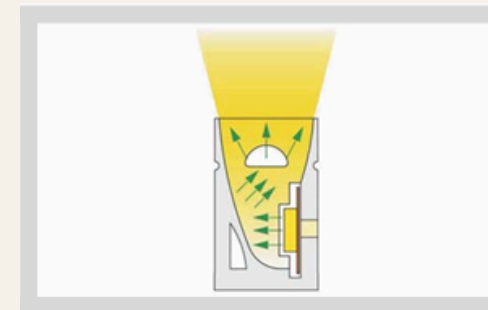
NEON STRIPS



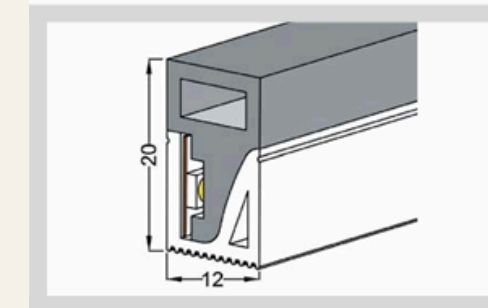
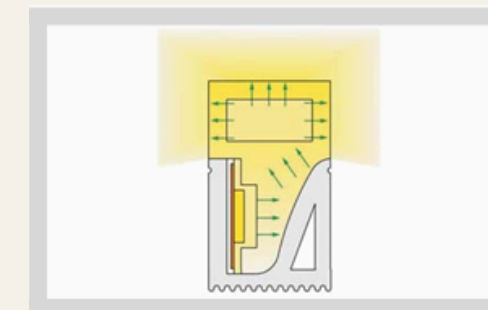
120 deg.



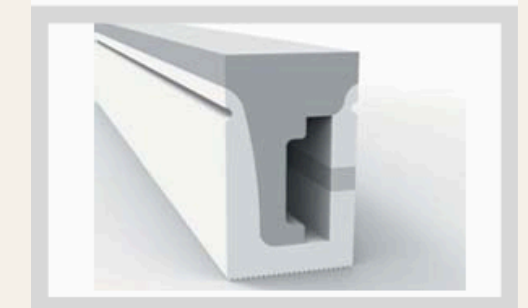
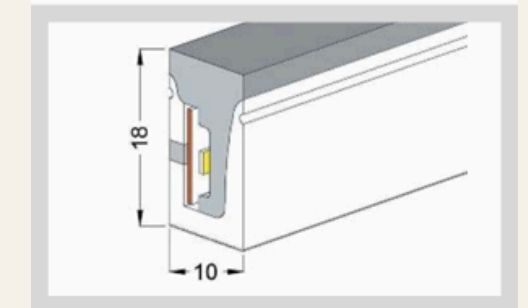
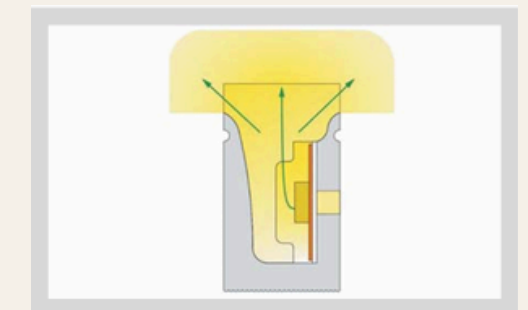
180 deg.



120 deg.

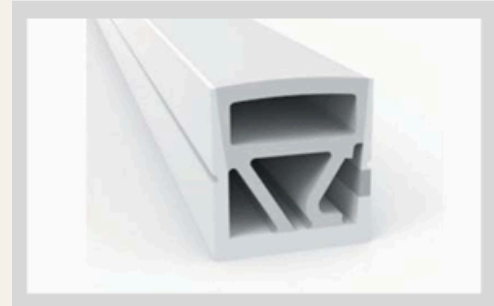
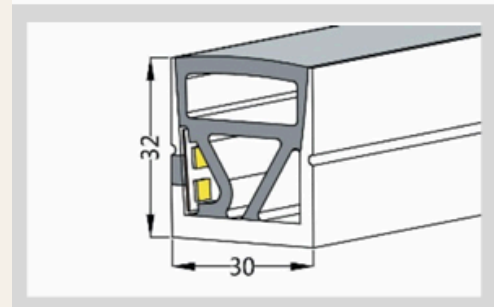


180 deg.

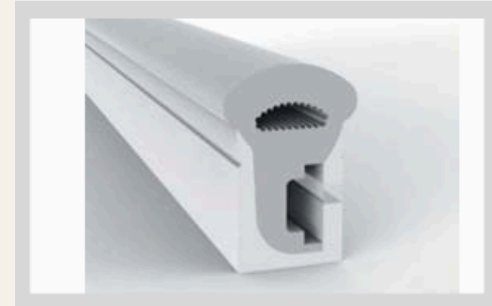
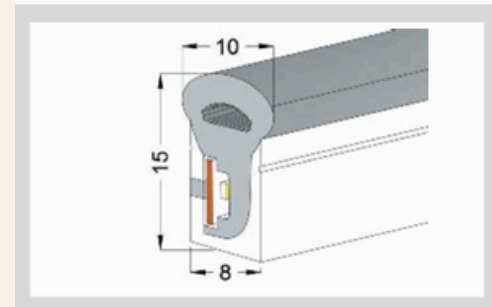
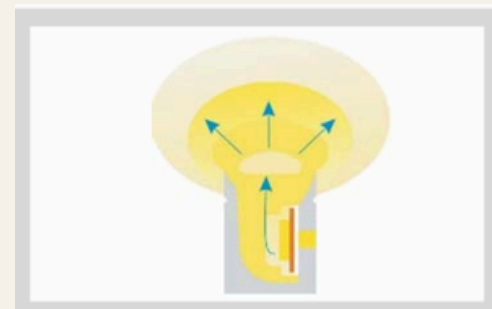


180 deg.

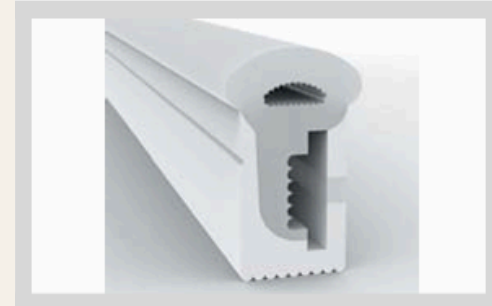
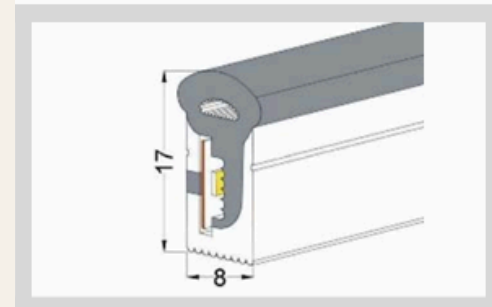
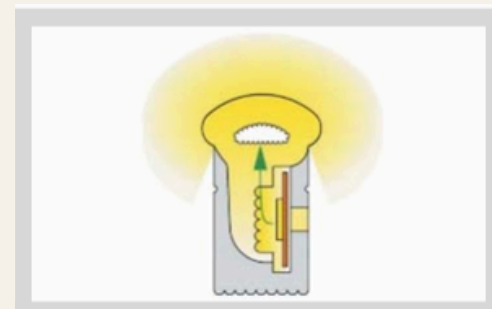
NEON STRIPS



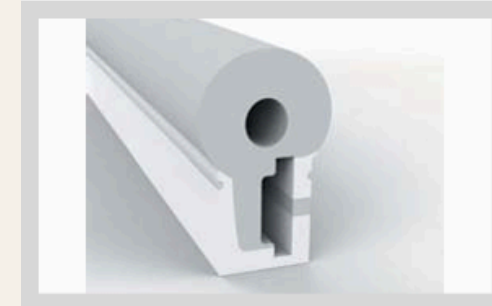
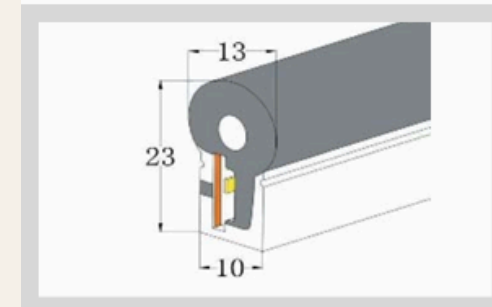
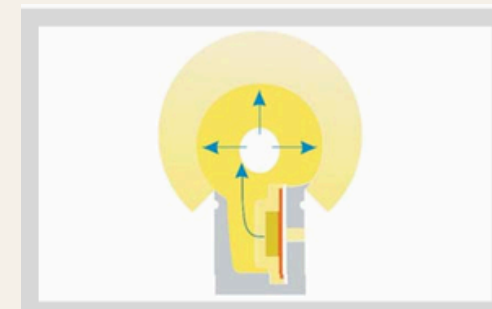
120 deg.



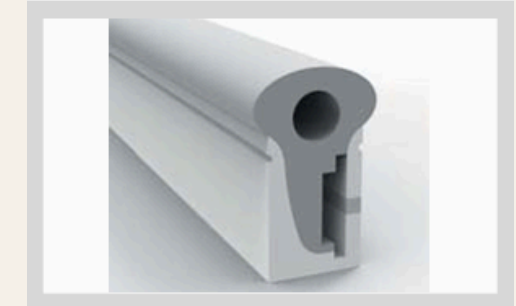
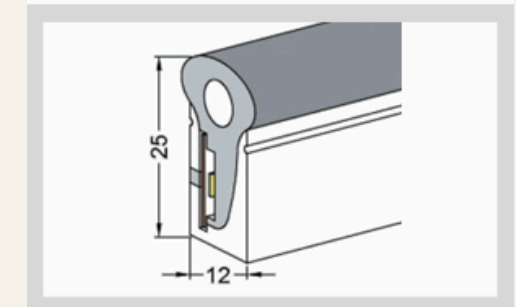
270 deg.



270 deg.

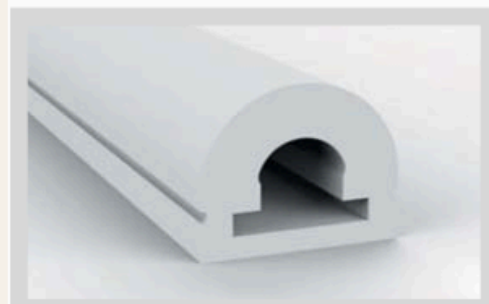
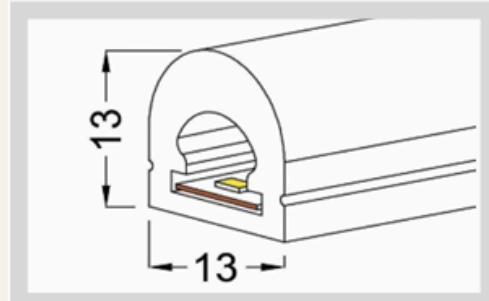


270 deg.

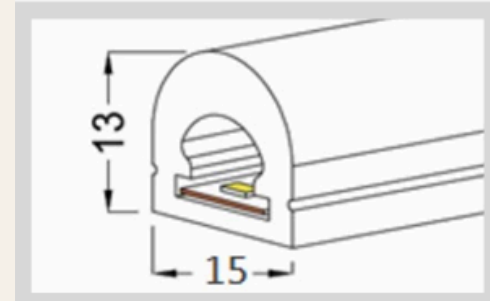


270 deg.

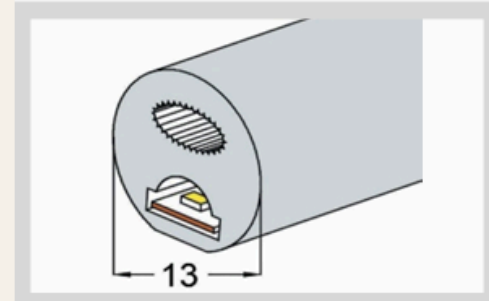
NEON STRIPS



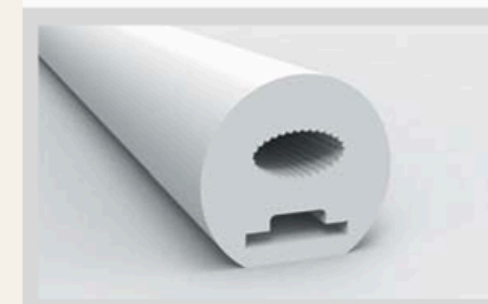
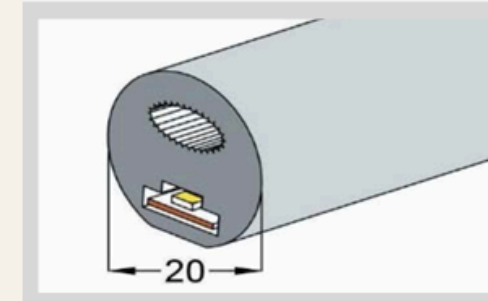
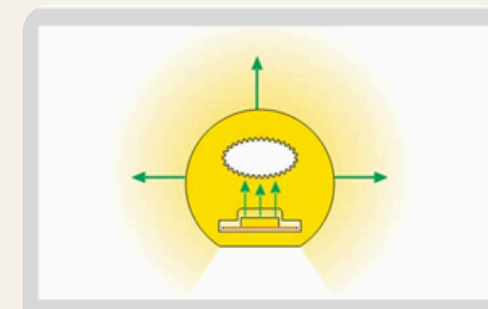
180 deg.



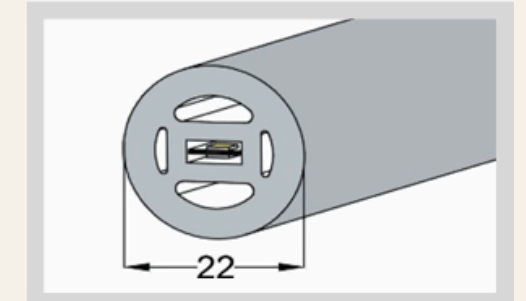
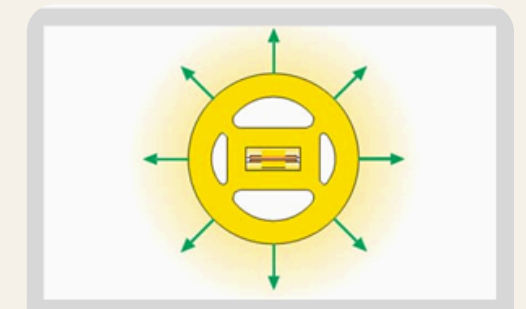
180 deg.



270 deg.



270 deg.



360 deg.

NEXION
electronics



COB STRIP SERIES

SMART, EFFICIENT, EFFECTIVE

FLEXIBLE | SEAMLESS | LINEAR | LOW MAINTENANCE

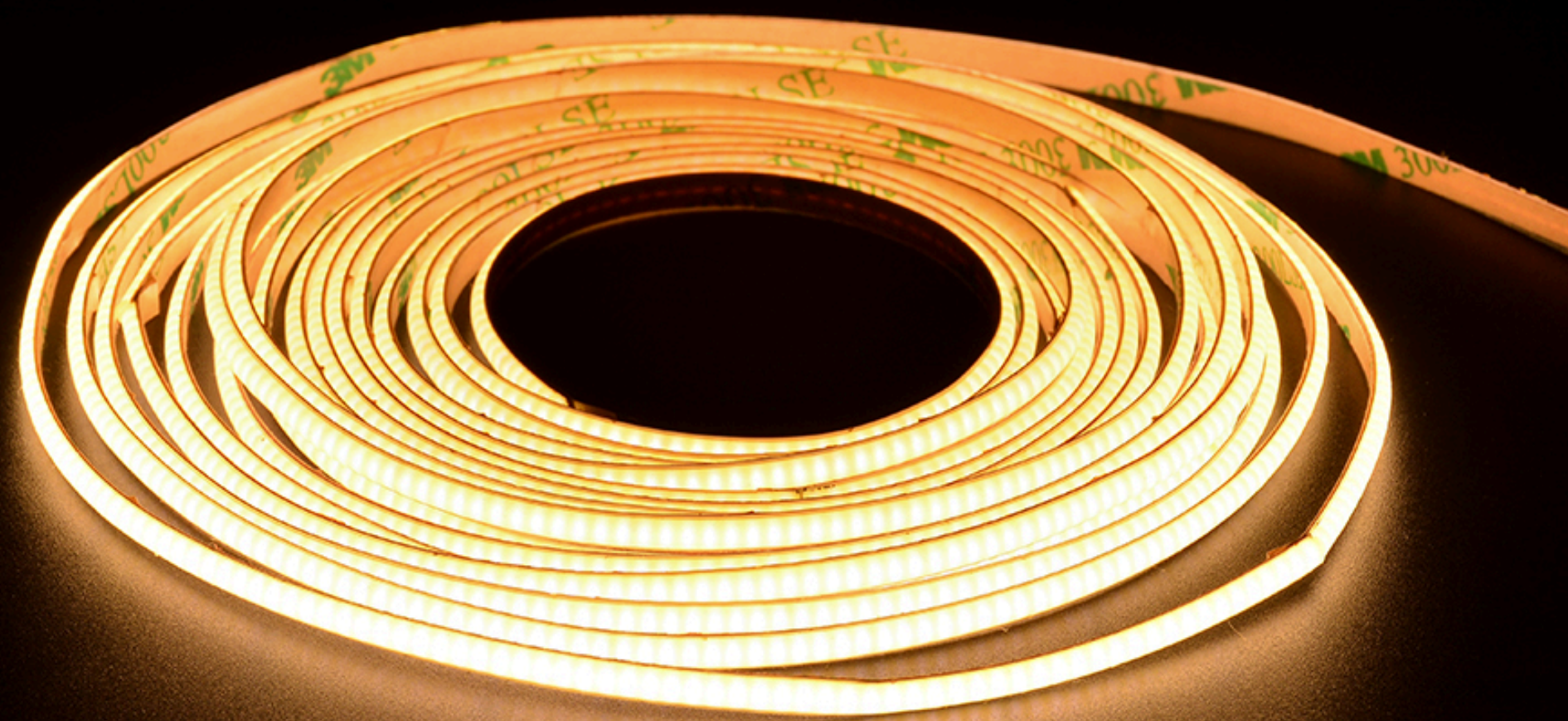


- **24V** operating voltage
- **CRI 90** — natural color rendering
- No hotspots — uniform light output
- **IP67 waterproof** — no diffuser needed
- Wired on **both ends** for **easy installation**
- Higher efficiency, **lower maintenance**



>90

CRI Colour
Rendering
Index



COB STRIP PARAMETERS

NEXION
electronics



4 MM

8 MM

10 MM

12 MM

12 VDC

24 VDC

5-8 W

10 W

13-15 W

20 W

Single color

Dual white

RGB

RGBW

Adressable

320 pcs/m

480 pcs/m

512 pcs/m

576 pcs/m

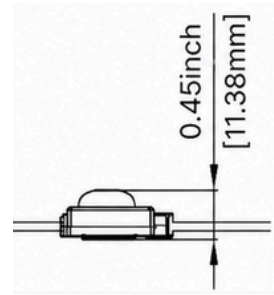
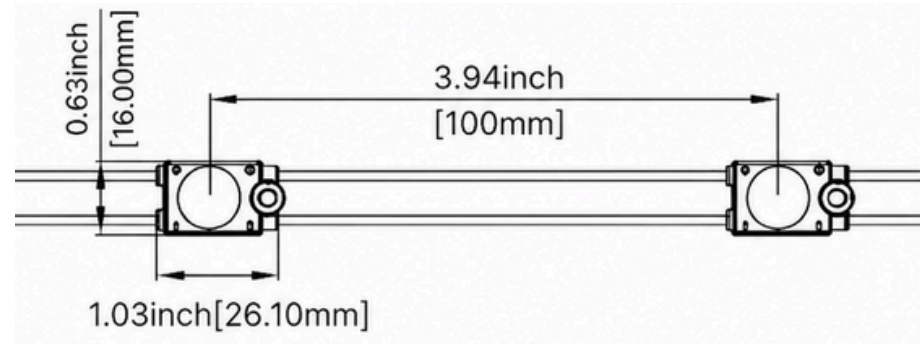
840 pcs/m

NEXION
electronics



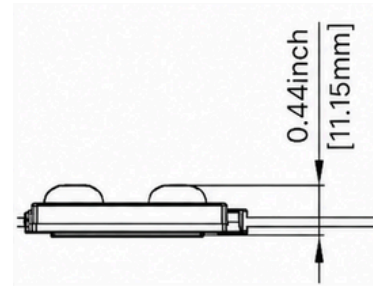
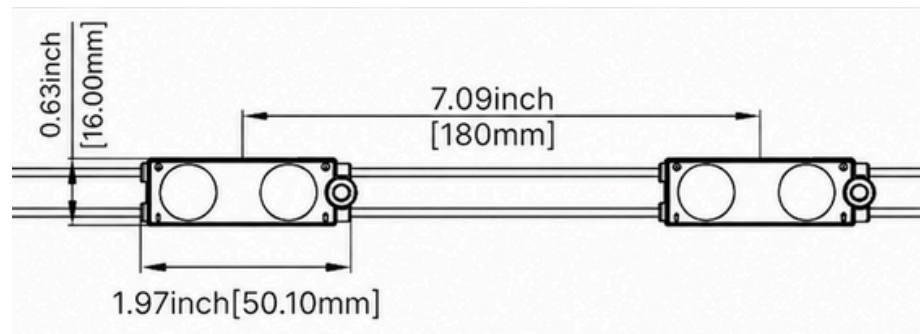
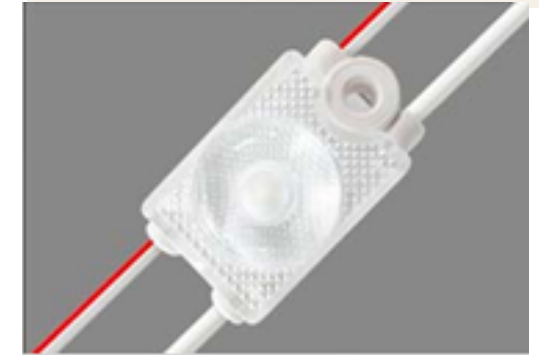
BACK LIGHT MODULES

DESIGN AND CHARACTERISTICS



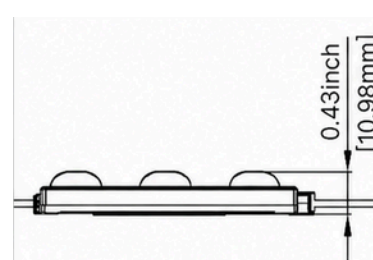
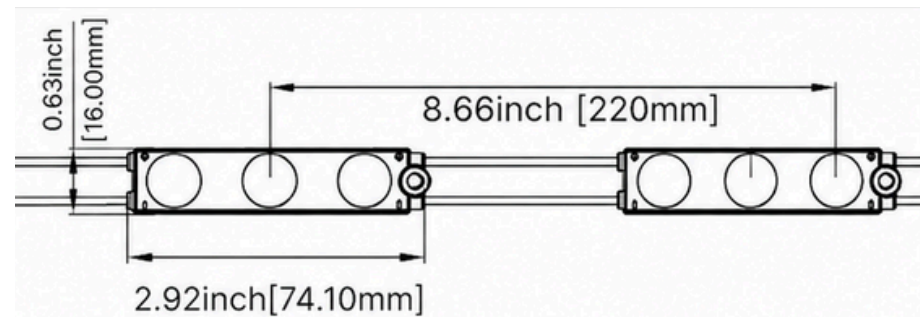
Voltage	12 V
Power	0.36 W
Luminous Flux	61 LM
IP rating	IP67

Beam Angle	175°
Lifetime	50.000 h
Modules/chain	50 / Pcs/chain
Installation depth	30~50mm depth



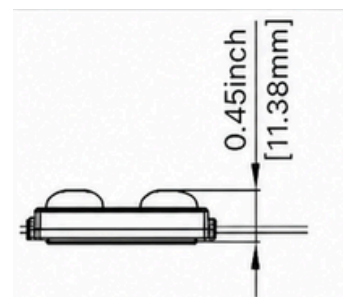
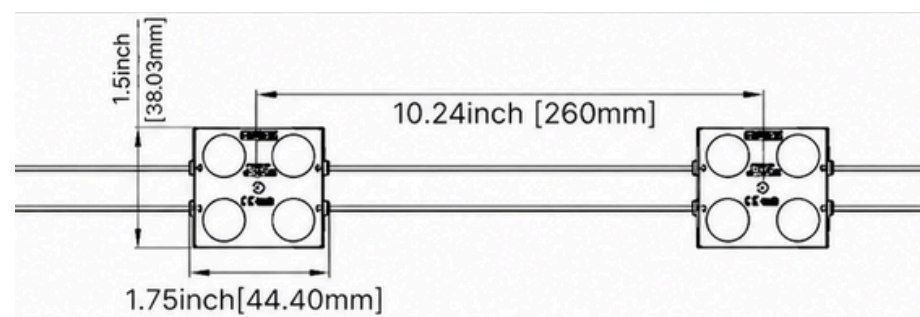
Voltage	12/24 V
Power	0.72 V
Luminous Flux	123 LF
IP rating	IP67

Beam Angle	175°
Lifetime	50.000 h
Modules/chain	30/50 Pcs/chain
Installation depth	50~80mm depth



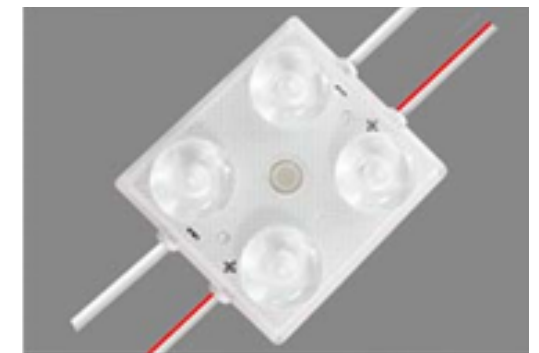
Voltage	12/24 V
Power	1.08W
Luminous Flux	184LM
IP rating	IP67

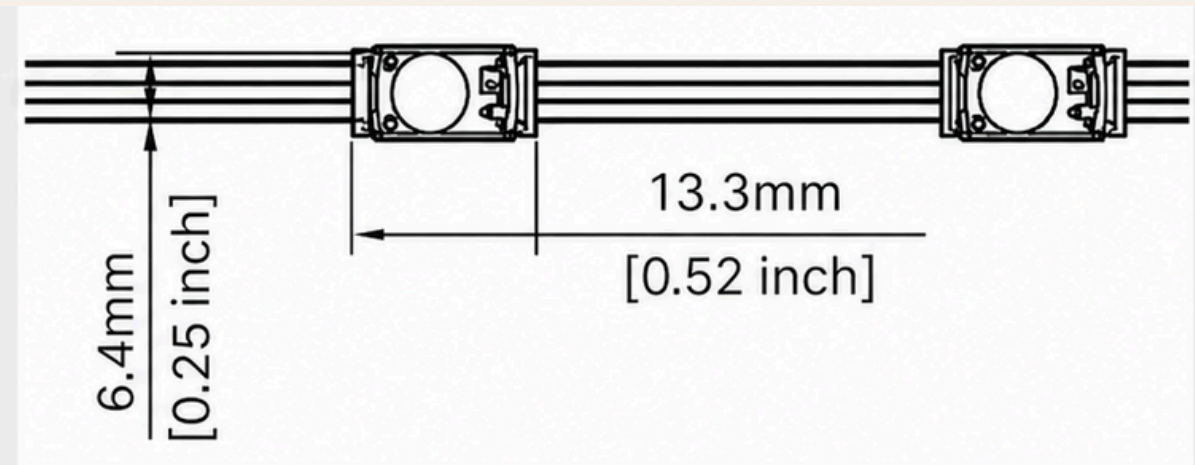
Beam Angle	175°
Lifetime	50.000 h
Modules/chain	30/50 Pcs/chain
Installation depth	80~120mm depth



Voltage	12/24 V
Power	1.44W
Luminous Flux	245LM
IP rating	IP67

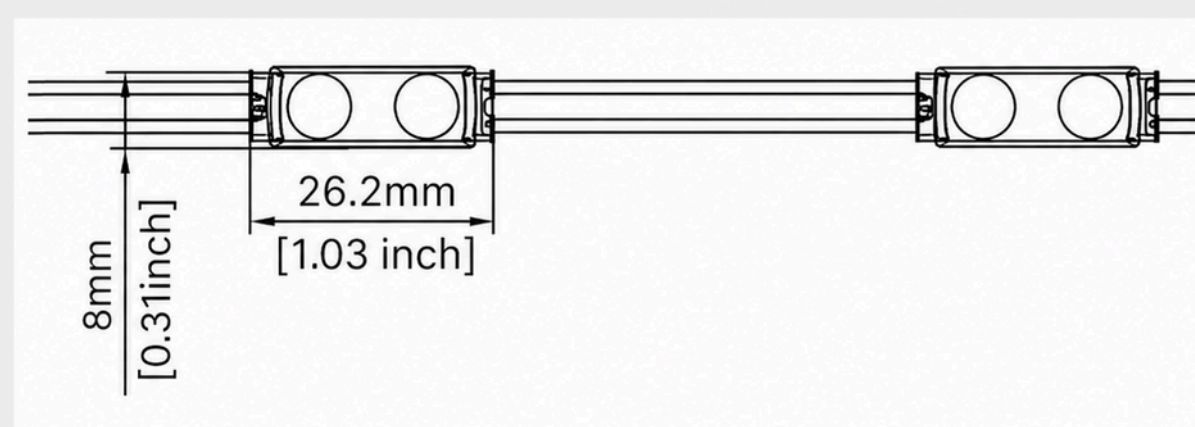
Beam Angle	175°
Lifetime	50.000 h
Modules/chain	30/50 Pcs/chain
Installation depth	120~200mm depth





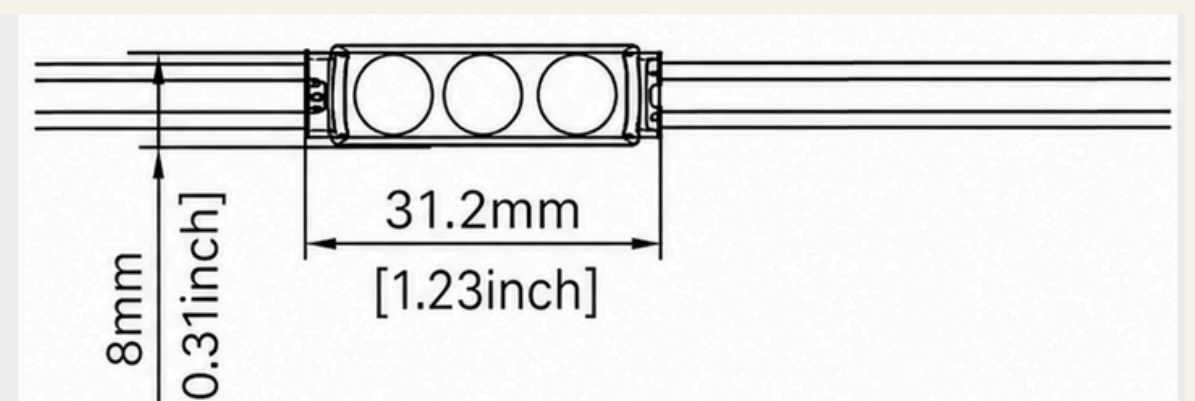
Voltage	12 V
Power	0.2W
Luminous Flux	32LF
IP rating	IP67

Beam Angle	140°
Lifetime	50.000 h
Modules/chain	100 pcs/chain
Installation depth	30~ 100mm depth



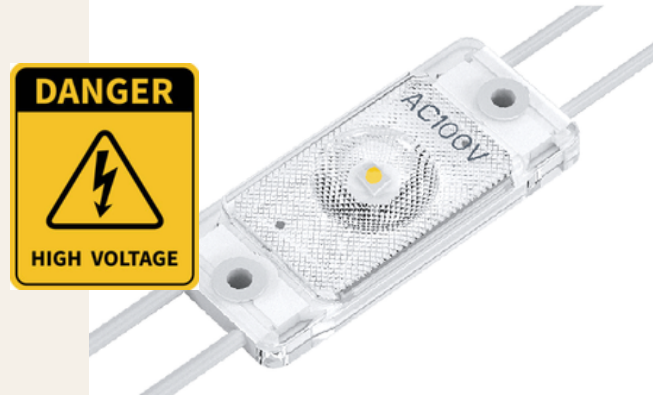
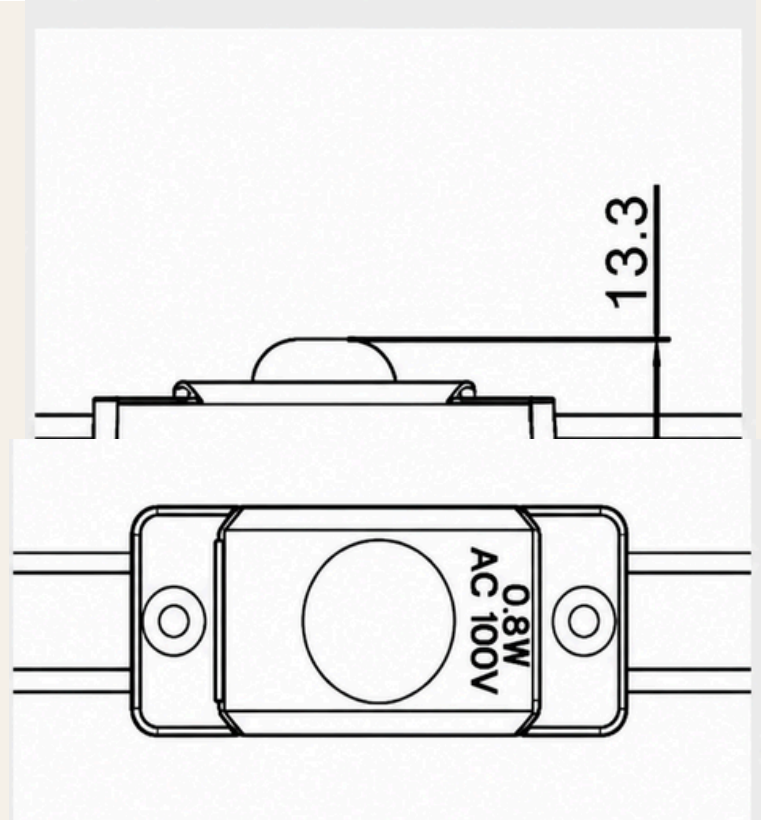
Voltage	12 V
Power	0.5W
LM	80LM
IP rating	IP67

Beam Angle	140°
Lifetime	50.000 h
Modules/chain	50 Pcs/chain
Installation depth	30~ 100mm depth



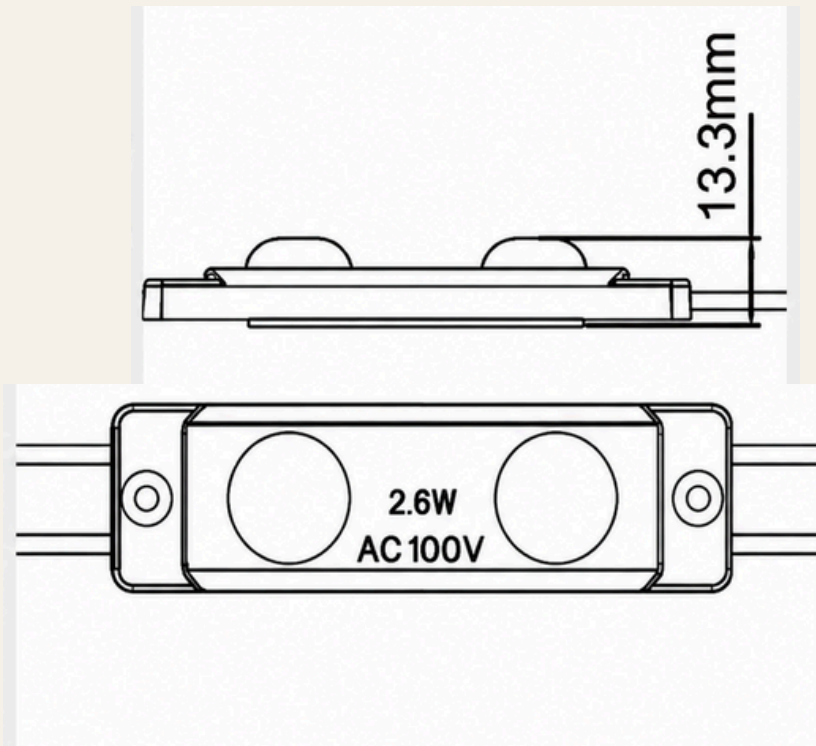
Voltage	12 V
Power	0.72W
Luminous Flux	72LM
IP rating	IP67

Beam Angle	140°
Lifetime	50.000 h
Modules/chain	50 Pcs/chain
Installation depth	30~ 100mm depth



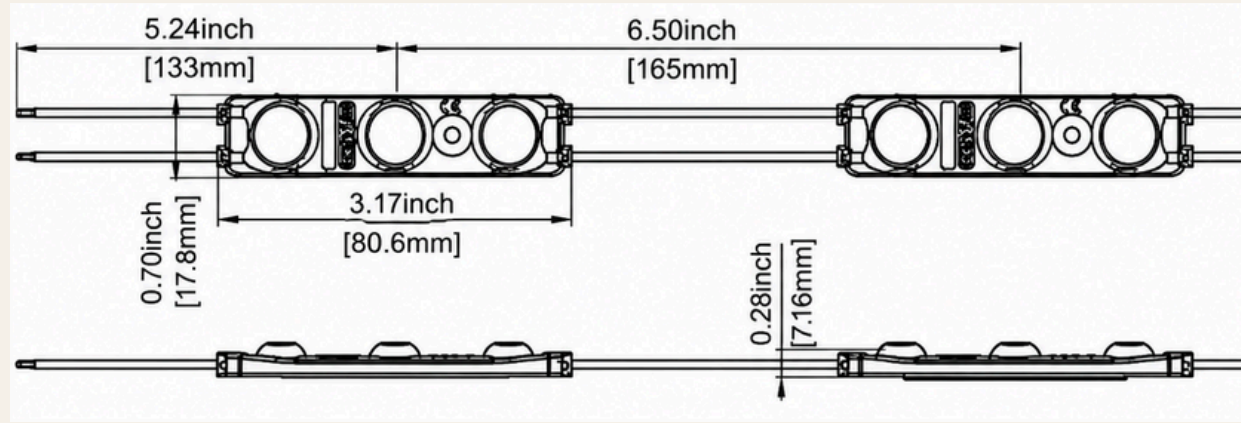
Voltage	AC110V
Power	0.8W
Luminous Flux	120LM
IP rating	IP 68

Beam Angle	170°
Lifetime	50000 h
Modules/chain	50 pcs/chain
Installation depth	50~250mm depth



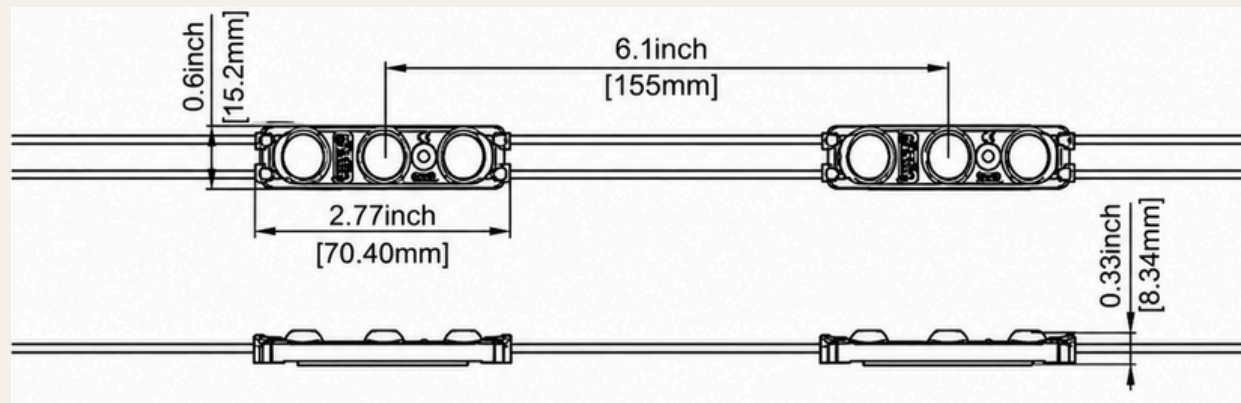
Voltage	AC110V
Power	2.8W
Luminous Flux	410LM
IP rating	IP 68

Beam Angle	170°
Lifetime	50000 h
Modules/chain	50 pcs/chain
Installation depth	50~250mm depth



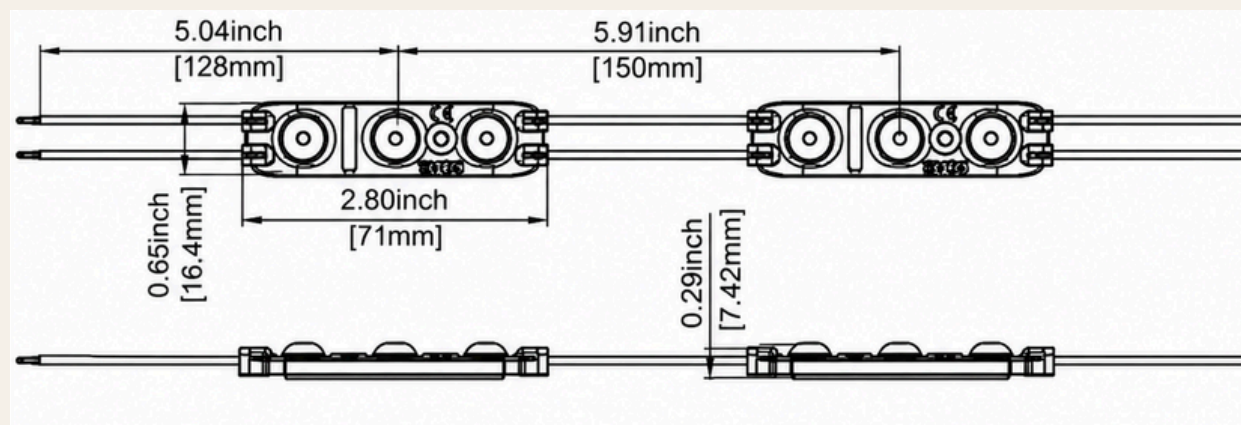
Voltage	12 V
Power	2W
LPM	32LF
IP rating	IP66

Beam Angle	175°
Lifetime	50.000 h
Modules/chain	20 pcs/chain
Installation depth	50~ 200mm depth



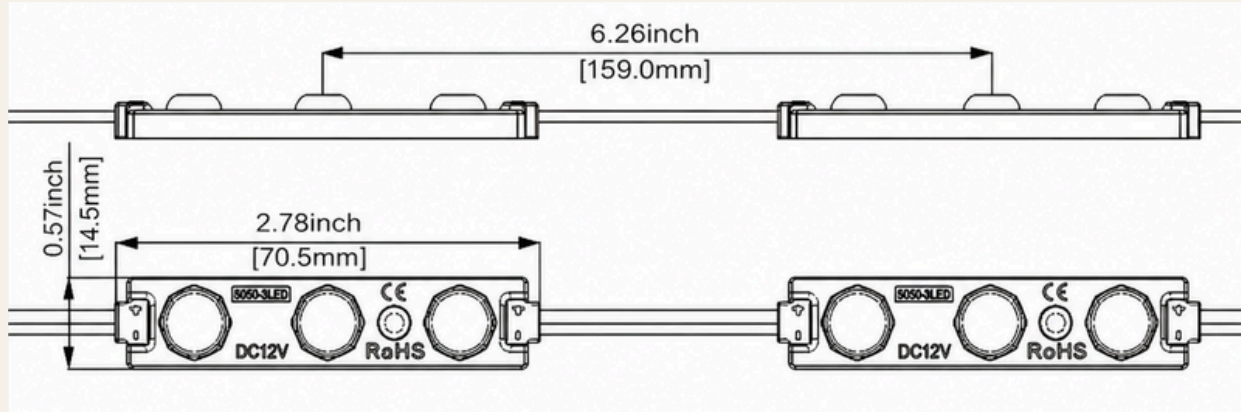
Voltage	12 V
Power	0.5W
LPM	180LPM
IP rating	IP66

Beam Angle	175°
Lifetime	50.000 h
Modules/chain	20 pcs/chain
Installation depth	50~ 200mm depth



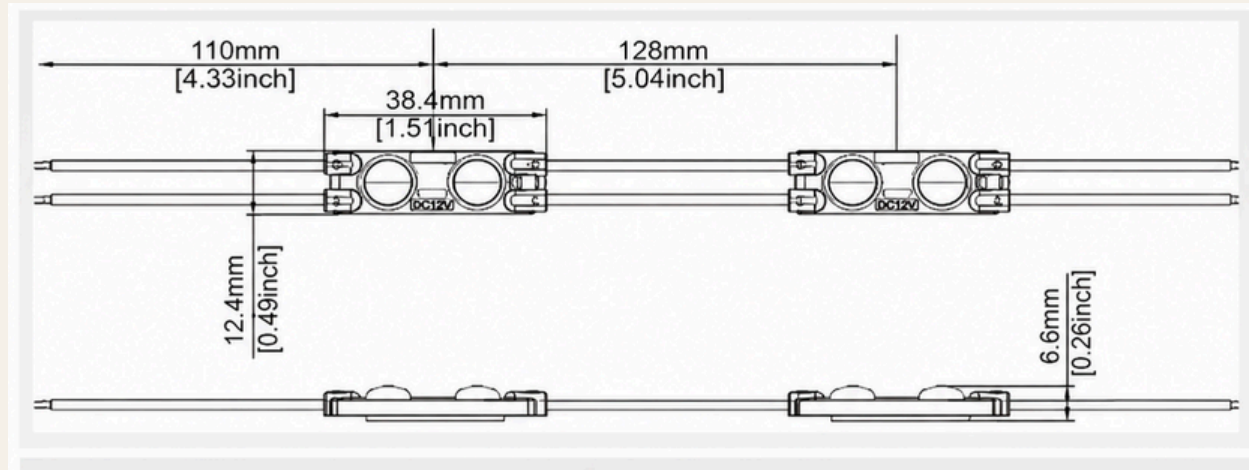
Voltage	12 V
Power	1.5W
LPM	150LPM
IP rating	IP66

Beam Angle	150°
Lifetime	50.000 h
Modules/chain	20 pcs/chain
Installation depth	50~ 200mm depth



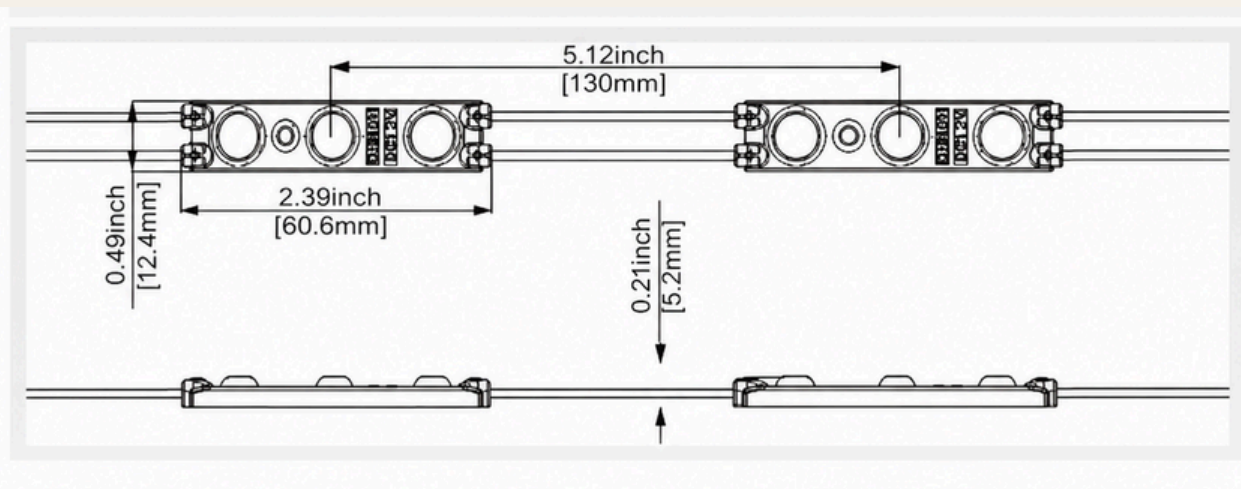
Voltage	12 V
Power	1.2W
LPM	120LPM
IP rating	IP66

Beam Angle	145°
Lifetime	3 Years
Modules/chain	20 pcs/chain
Installation depth	50~ 200mm depth



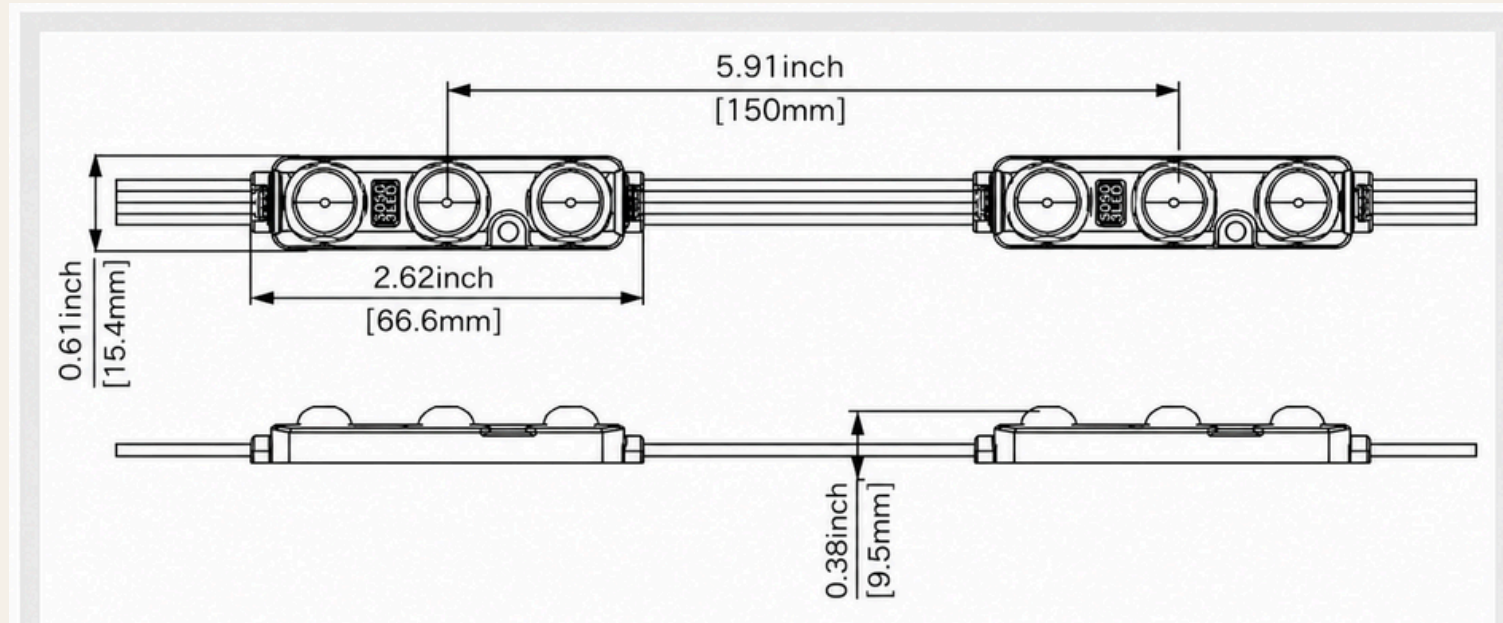
Voltage	12 V
Power	0.92W
LPM	70LM
IP rating	IP66

Beam Angle	140°
Lifetime	3 Years
Modules/chain	20 pcs/chain
Installation depth	50~ 150mm depth



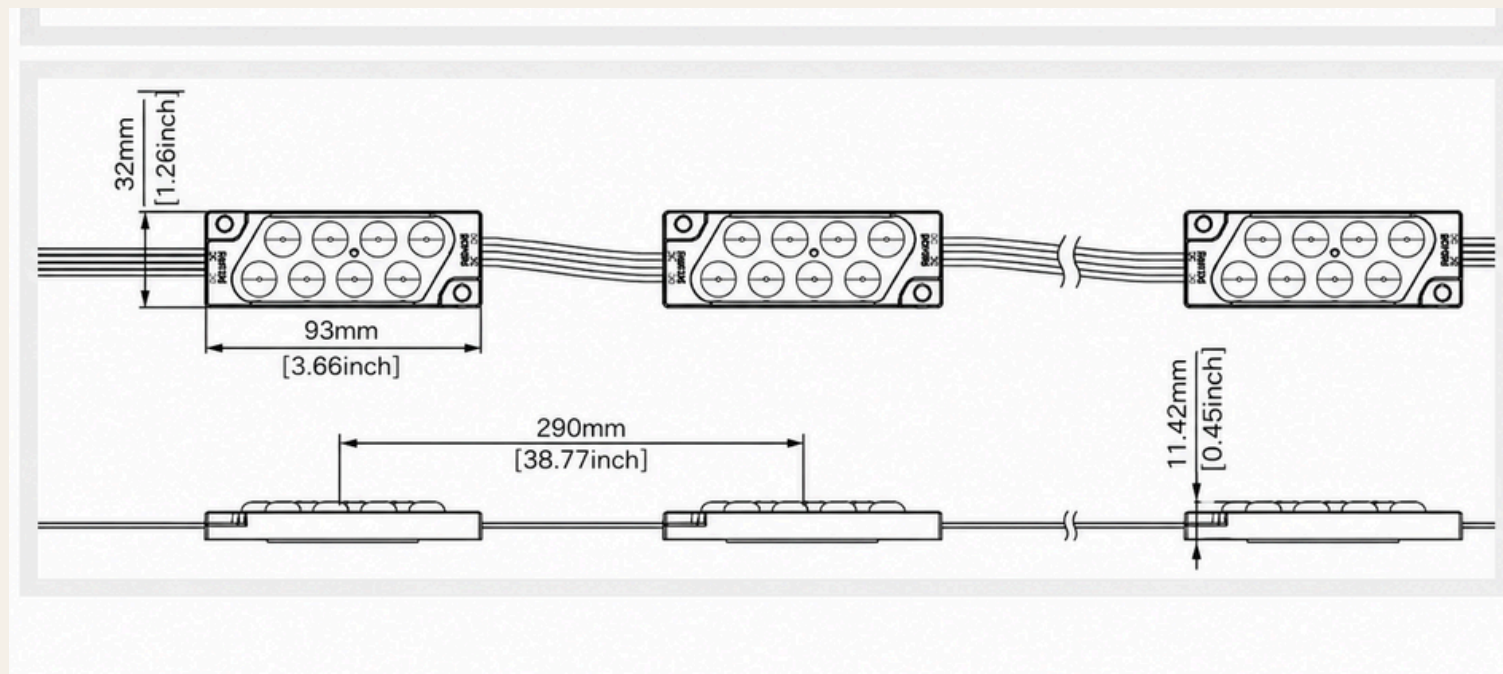
Voltage	12 V
Power	1.2W
LPM	120LPM
IP rating	IP66

Beam Angle	140°
Lifetime	3 Years
Modules/chain	20 pcs/chain
Installation depth	50~ 150mm depth



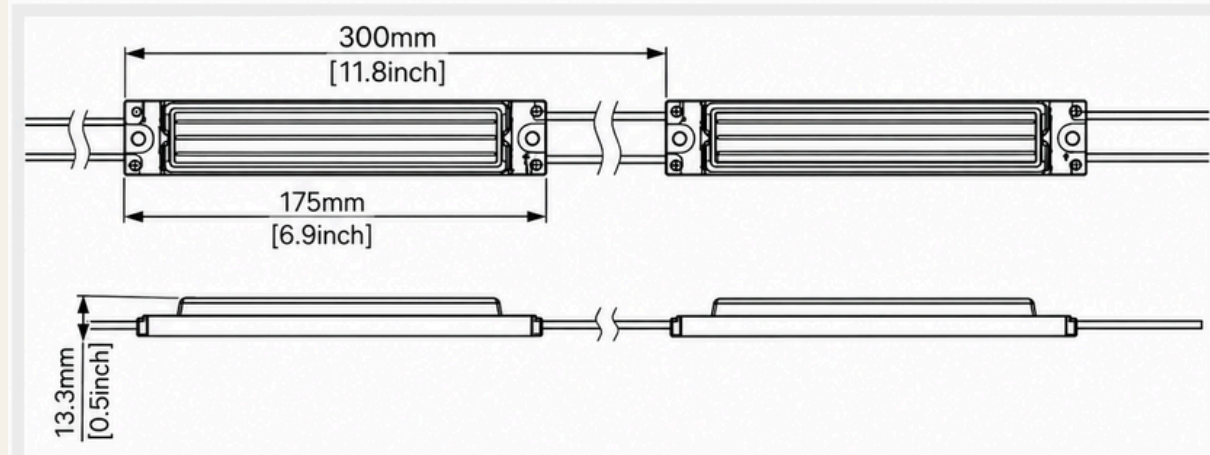
Voltage	12V
Power	0.72/0.96 W
LM	39/49 LM
IP rating	IP67

Beam Angle	160°
Lifetime	5 Years
Modules/chain	20 pcs/chain
Installation depth	50~250mm depth



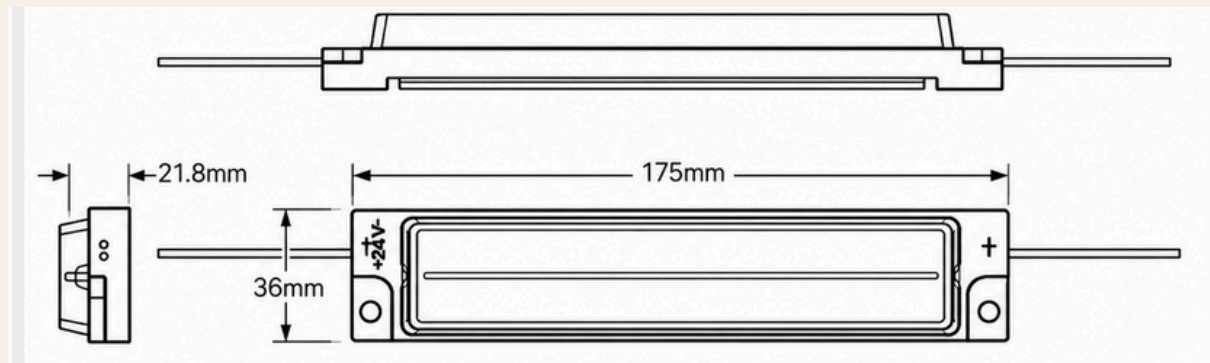
Voltage	12V
Power	3W
LM	230LM
IP rating	IP67

Beam Angle	160°
Lifetime	5 Years
Modules/chain	20 pcs/chain
Installation depth	50~250mm depth



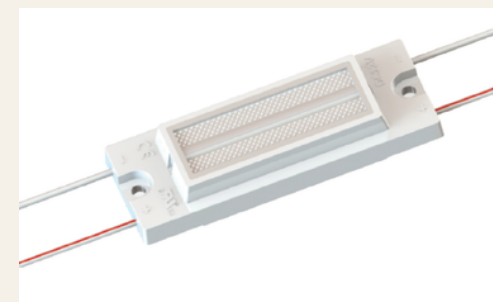
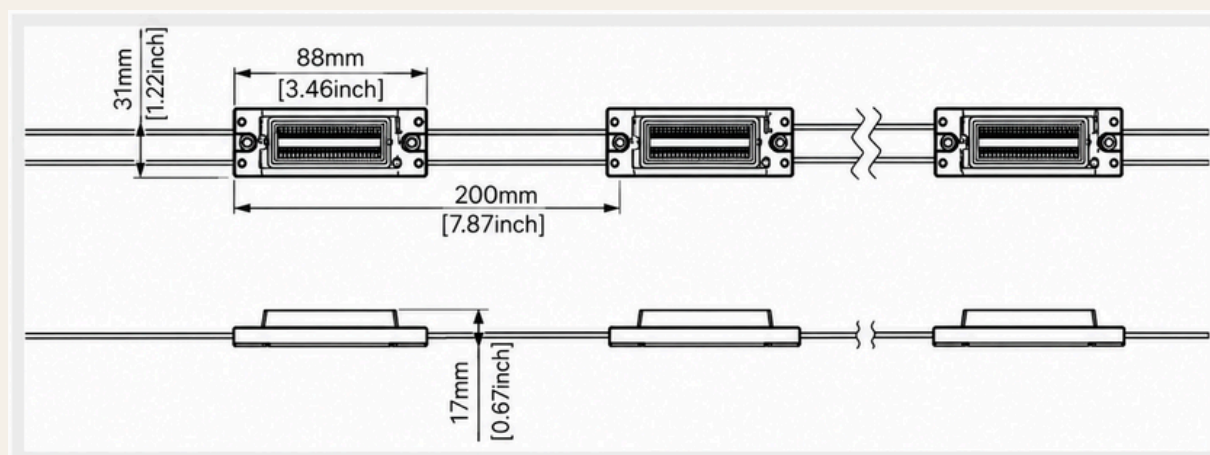
Voltage	24V
Power	6.4W
LM	800LPM
IP rating	IP67

Beam Angle	11°*80°
Modules/chain	15 pcs/chain



Voltage	24V
Power	0.5W
LPM	180LPM
IP rating	IP67

Beam Angle	11°*77°
Modules/chain	16 pcs/chain



Voltage	12 V
Power	1.5W
LPM	150LPM
IP rating	IP67

Beam Angle	11°*77°
Modules/chain	20 pcs/chain

STRIP IP RATING

FIRST DIGIT - SOLIDS

SECOND DIGIT - LIQUIDS

<p>IP20</p>	<p>Protected from touch by fingers and objects greater than 12 mm.</p>	<p>Not protected from liquids.</p>
<p>IP65</p>	<p>Protected from total dust ingress.</p>	<p>Protected from low pressure water jets from any direction.</p>
<p>IP66</p>	<p>Protected from total dust ingress.</p>	<p>Protected from high pressure water jets from any direction.</p>
<p>IP67</p>	<p>Protected from total dust ingress.</p>	<p>Protected from immersion between 15 cm and 1 meter in depth.</p>
<p>IP68</p>	<p>Protected from total dust ingress.</p>	<p>Protected from long term immersion up to a specified pressure.</p>





CONTACT US FIND THE LED STRIP YOU NEED

LIGHTING SOLUTIONS



www.nexionelectronics.com



(+34) 93 382 15 47



info@nexionelectronics.com